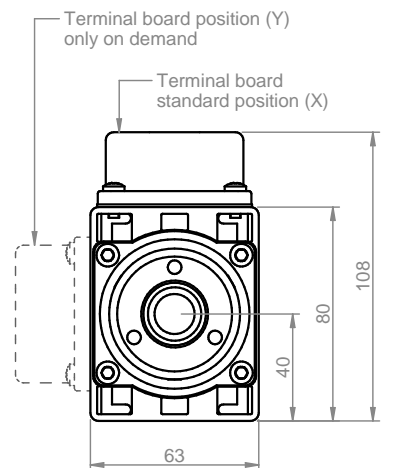
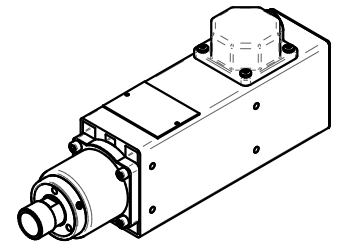
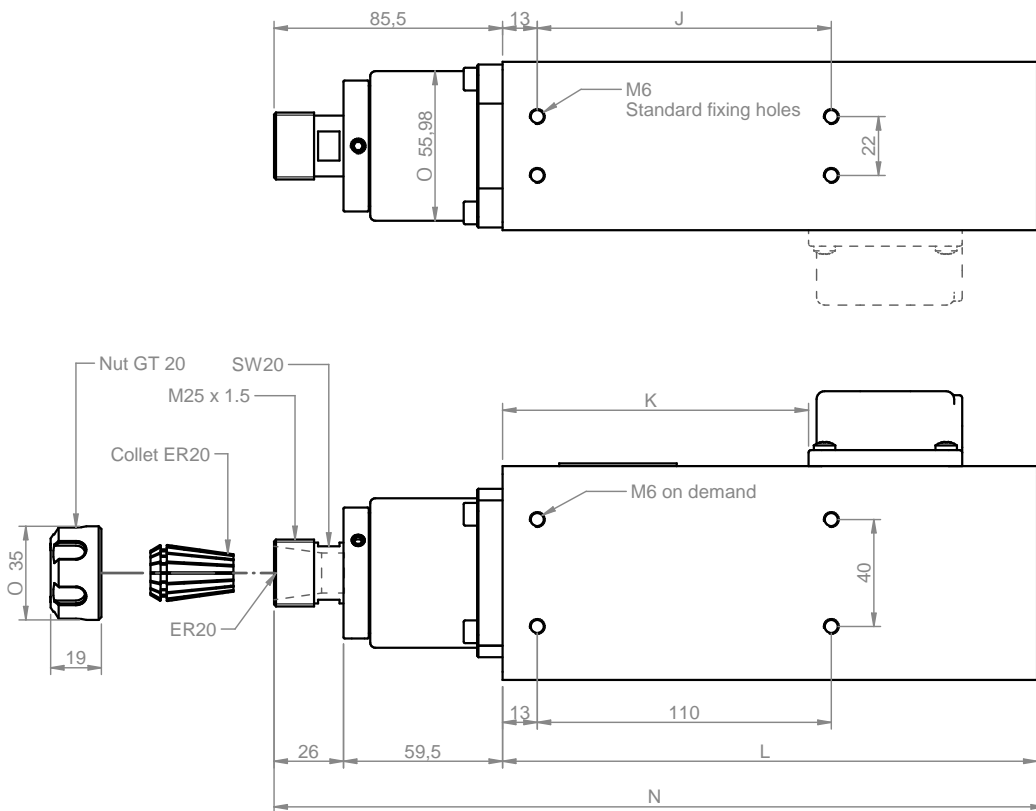


Standard fixing holes on terminal board opposite side.
Fixing holes on other sides on demand.
Collets, nuts and wrenches only on demand.



Standard fixing holes on terminal board opposite side.
Fixing holes on other sides on demand.
Collets, nuts and wrenches only on demand.

OVERALL DIMENSION				
TYPE	K	L	M	N
3140-A	74	160	226	248
3140-B	99	185	251	273
3140-C	114	200	266	288
3140-D	134	220	286	308